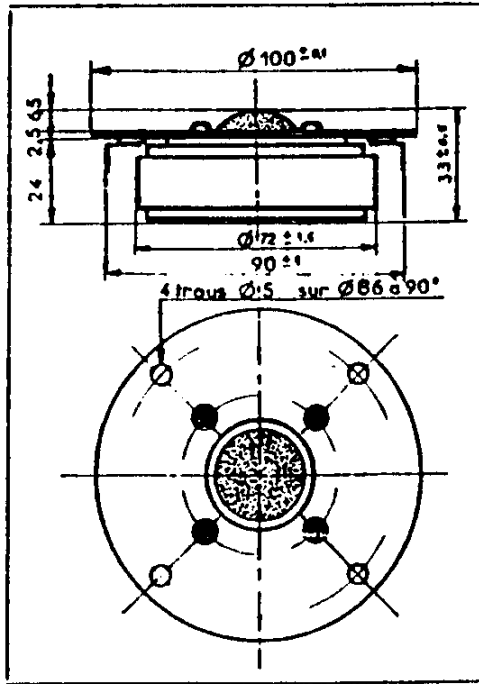




Polydax
speaker corporation

DTW 100 T 25 F FF



Recommended Crossover Frequency:
5000 Hz

1 inch

Ferrofluid Cooled Dome Tweeter

Specifications:

Nominal Impedance 8 Ohms

DC Resistance 5.4 Ohms

Voice Coil Inductance..... 44 uH

Resonant Frequency..... 1200 Hz

Voice Coil Diameter..... 25 mm

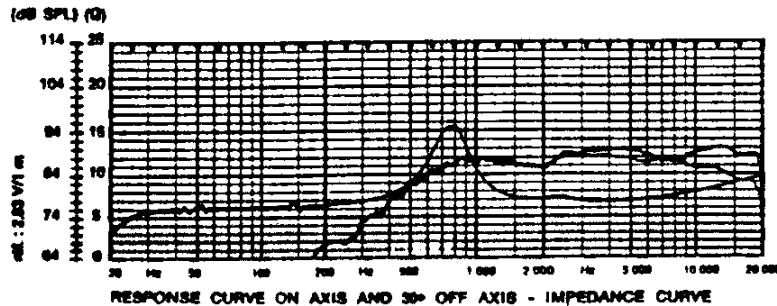
Voice Coil Length..... 2 mm

Height of Voice Coil Gap..... 1.5 mm

Moving Mass..... .000250 kg

Characteristic Efficiency... 90 dB SPL

Nominal Power Handling..... 50 Watts



DTW 100 T 25 F FF/8- High efficiency 1" dome tweeter with two-layer, one inch voice coil. Ferrofluid cooled version.