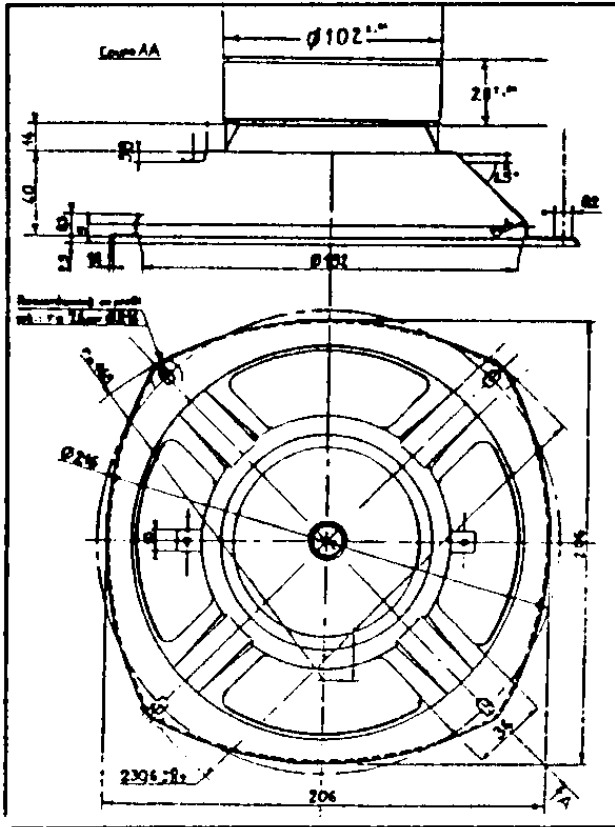


TX 20.25 RSN 2CN12



8 inch Woofer - Midrange

TPX Cone

Specifications:

Nominal Impedance 8 Ohms

DC Resistance 5.9 Ohms

Voice Coil Inductance..... 700 uH

Resonant Frequency..... 49 Hz

Suspension Compliance..... .00069 m/N

Mechanical Q factor..... 2

Electrical Q factor..... 0.87

Total Q factor..... 0.61

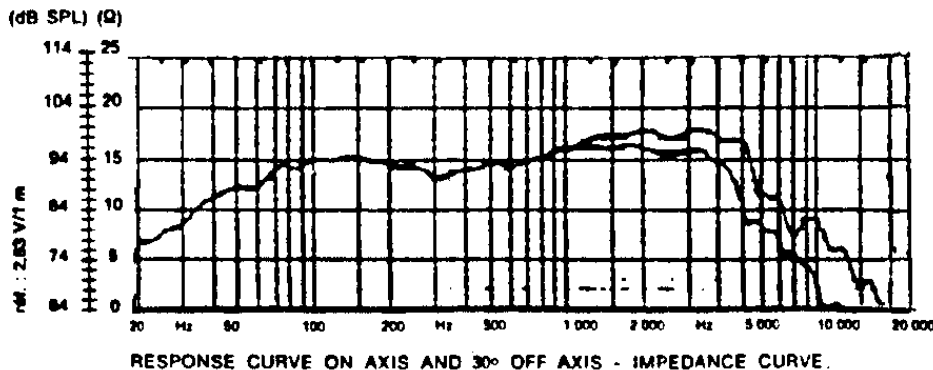
Volume Equivalent (Vas)..... 46.75 liters

Effective Piston Area..... .022 sq. meters

Characteristic Efficiency... 90 dB SPL

Nominal Power Handling..... 60 Watts

Recommended Enclosure Type:
Sealed



TX 20.25 RSN 2CN12/8 - 8" Bass midrange driver. TPX cone material.

Norsorex surround. High internal damping, high sensitivity, low distortion and high power handling.