

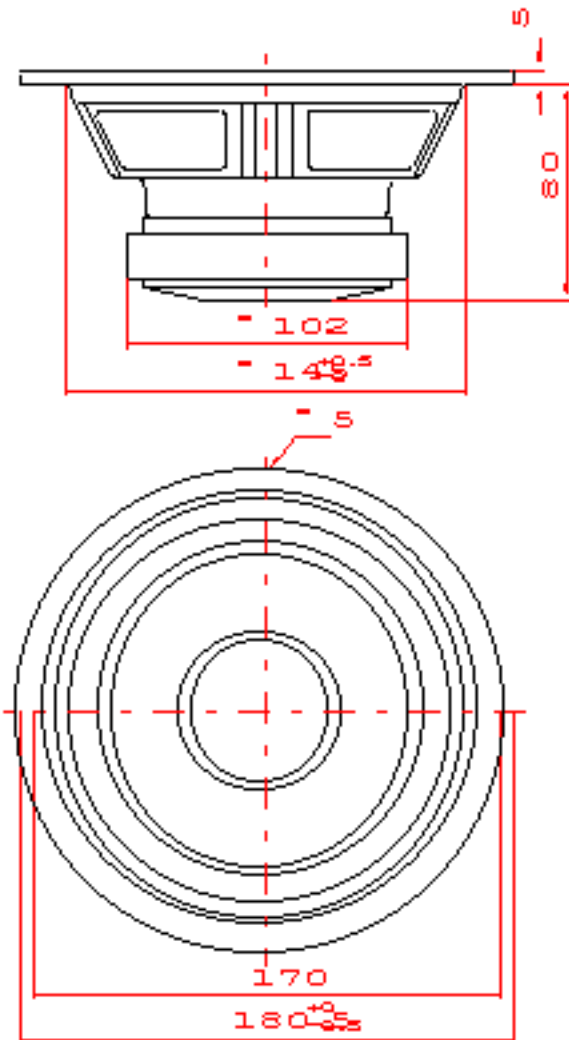


Peerless Data Sheet

WR 180

180 WR 33 102 PPB AL 8 ohm - Order ID: 832732

6½" bass reflex woofer with a clear and precise sound - an excellent deep bass performance. Aluminium ring in the magnet system ensures a very low distortion. Furthermore, it has a high power handling and a good sensibility.



WR 180Thiele Small parameters:

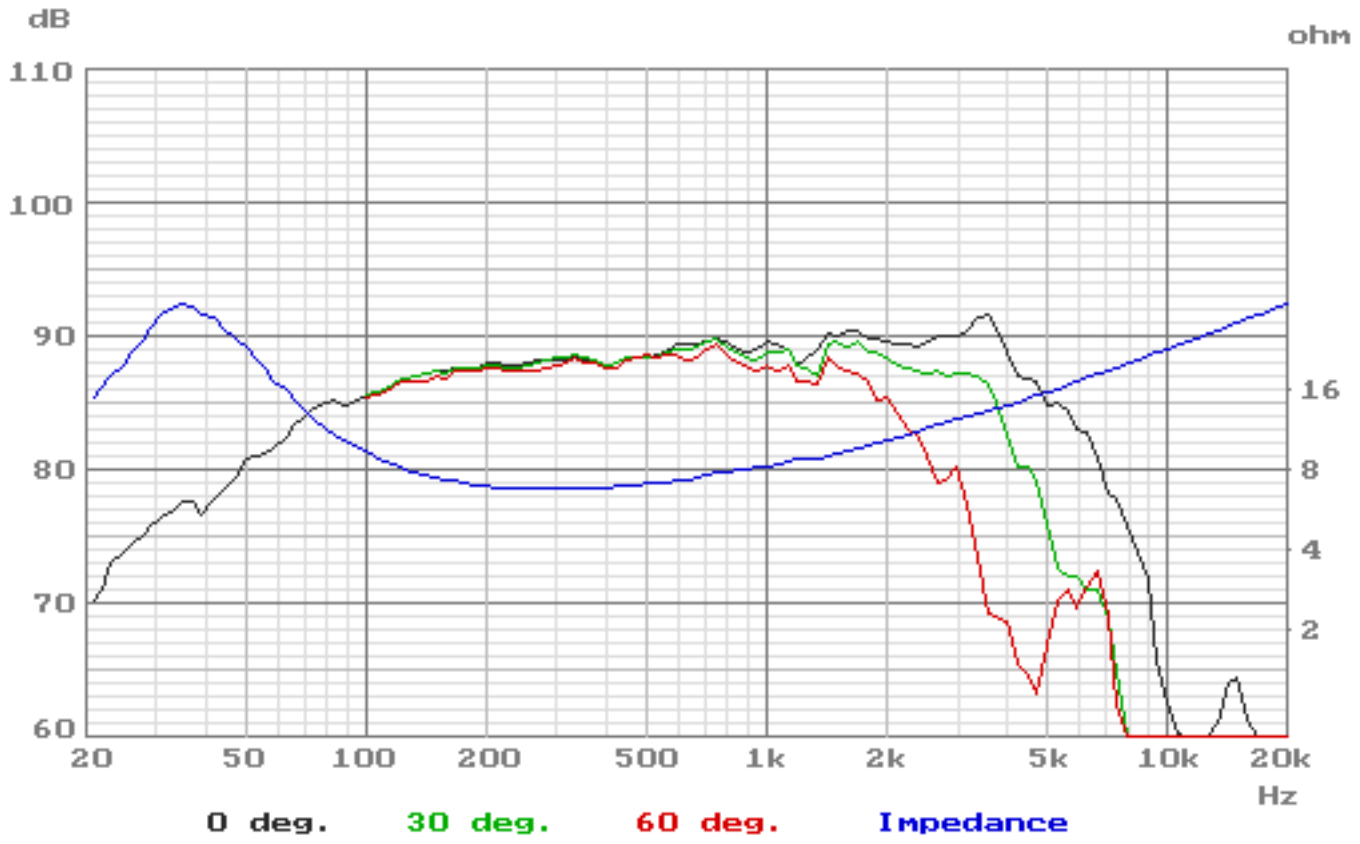
			Free air	Common	Baffled
Nominal impedance	Zn	(ohm)		8	
Minimum impedance/at freq.	Zmin	(ohm/Hz)		6.8/323	
Maximum impedance	Zo	(ohm)		34.2	
DC resistance	Re	(ohm)		6.1	
Voice coil inductance	Le	(mH)		0.9	
Capacitor in series with 8 ohm (for impedance compensation)	Cc	(μ F)		8	
Resonance Frequency	fs	(Hz)	35.2		34.1
Mechanical Q factor	Qms		1.63		1.69
Electrical Q factor	Qes		0.35		0.36
Total Q factor	Qts		0.29		0.30
F (Ratio fs/Qts)	F	(Hz)			114
Mechanical resistance	Rms	(Kg/s)		2.01	
Moving mass	Mms	(g)	14.8		15.8
Suspension compliance	Cms	(mm/N)		1.38	
Effective cone diameter	D	(cm)		12.9	
Effective piston area	Sd	(cm ²)		130	
Equivalent volume	VAS	(ltrs)		32.9	
Force factor	Bl	(N/A)		7.5	
Reference voltage sensitivity Re 2.83V 1m at 323 Hz (Measured)		(dB)			87.9

Magnet and voice coil parameters:

Voice coil diameter	d	(mm)	33		
Voice coil length	h	(mm)	17.0		
Voice coil layers	n		2		
Flux density in gap	B	(T)	1.13		
Total useful flux		(mWb)	1.03		
Height of the gap	hg	(mm)	6		
Diameter of magnet	dm	(mm)	102		
Height of magnet	hm	(mm)	16		
Weight of magnet		(kg)	0.54		

Power handling:

Long term Max System Power (IEC)		(W)	150		
Max linear SPL (rms) / by power		(dB/W)	106/90		



Measuring methods and conditions are stated in Peerless Standard for Acoustic Measurements (PSAM)